



User, Installation and Servicing Instructions

Silverlink 600 Gas Chargrills

CG4 and CG6

Please make a note of your product details for future use:

Date Purchased: _____

Model Number: _____

Serial Number: _____

Dealer: _____

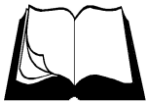
SILVERLINK 600

Dear Customer,
Thank you for purchasing this Lincat product.

This is just one of over 450 different items of catering equipment available which is constantly being extended and improved. Details are available from your local distributor or direct from us.

Used for the purposes for which it is intended, and with careful maintenance as outlined in this User Guide, your Lincat product will give you years of trouble free service.

IMPORTANT INFORMATION



Please read all of the safety and operating instructions carefully before using this product. Please pay particular attention to all sections of this User Guide that carry warning symbols and notices.



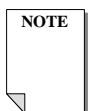
WARNING!

This is a Warning symbol. This symbol is used throughout the user guide whenever there is a risk of personal injury. Ensure that these warnings are read and understood at all times.



CAUTION!

This is a Caution symbol. This symbol is used throughout the user guide whenever there is a risk damaging your Lincat product. Ensure that these warnings are read and understood at all times.



NOTE:

This is a Note symbol. This symbol is used throughout the user guide to provide additional information, hints and tips.

CONTENTS

| <i>Contents</i> | <i>Page</i> |
|-------------------------------|-------------|
| Customer Information..... | 2 |
| Warnings and Precautions..... | 3 |
| Technical Data..... | 4 |
| Commissioning..... | 4 |
| Check List of Enclosures..... | 4 |
| Serial Number..... | 5 |
| Installation..... | 5 |
| User..... | 6 |
| Servicing | 7 |
| Component Replacement | 8 |
| Spare Parts List..... | 9 |
| Fault Finding..... | 9 |
| Service information..... | 10 |
| Guarantee..... | 10 |

WARNINGS AND PRECAUTIONS

It is mandatory that all appliances are installed, commissioned and serviced by a qualified and competent person as defined by the regulations in force in the country of installation.

Failure to comply will invalidate the warranty.



WARNING!

This appliance must be installed by a competent installation engineer in accordance with the installation instructions, and should conform to the following requirements:

Do not obstruct or block the appliance flue.

Installation must include sufficient ventilation to prevent the occurrence of unacceptable concentrations of substances harmful to health in the room in which they are installed.

It is recommended that this appliance is sited under an extraction canopy for the removal of combustion products

After operation, some parts of the appliance will remain hot for a period of time. Please take care to avoid accidental burns.



CAUTION!

All equipment must be earthed (where applicable) to prevent electric shock.

Do not connect directly to any flue, ducting or mechanical extraction system.

Installation should allow for a sufficient flow of fresh air for gas combustion.

Parts which have been protected by the manufacturer or his agent must not be adjusted by the installer or user.

TECHNICAL DATA

| Model | CG4 | CG6 |
|-------|-----|-----|
|-------|-----|-----|

Dimensions

| | | |
|--------------------------------|-------------|-------------|
| Overall height (mm) | 415 | 415 |
| Width (mm) | 450 | 600 |
| Depth (mm) | 660 | 660 |
| Weight (kg) | 27kg (Nett) | 35kg (Nett) |
| Hob cooking surface w x d (mm) | 325 x 440 | 475 x 440 |

Heat Input

| | | |
|---------------------------------|---------|---------|
| Total heat input Natural(Gross) | 14.3 kW | 14.3 kW |
| Total heat input Propane(Gross) | 14.5 kW | 14.5 kW |

Connection and Operating Pressures

| | | |
|------------------------------|----------------|-----------|
| Gas inlet connection | 1/2" BSPT Male | |
| Supply Pressure - Natural | 20mbar | 20mbar |
| Operating Pressure - Natural | 16.0 mbar | 16.0 mbar |
| Supply Pressure - Propane | 37mbar | 37mbar |
| Operating Pressure - Propane | 25.0 mbar | 25.0 mbar |

Gas Consumption

| | | |
|--------------------------|-------------------------------------|-------------------------------------|
| Total gas rate – Natural | 1.36 m ³ h ⁻¹ | 1.36 m ³ h ⁻¹ |
| Total gas rate – Propane | 1.04 kg h ⁻¹ | 1.04 kg h ⁻¹ |

COMMISSIONING

PREPARATION

Remove all packaging and protective coatings prior to installation.
Check that the heat transfer channels have been fitted correctly.

VENTILATION

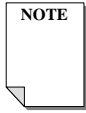
The area in which this equipment is to be installed should have sufficient fixed ventilation to comply with local legislation requirements. It is recommended that a room, or internal space, be provided with a minimum free area of 4.5cm² per kW (3,400Btu/hr) of total heat input.

CHECK LIST OF ENCLOSURES

Please ensure the following items are included with this piece of equipment:

| Model | CG4 / CG6 | Tick |
|--------------------|-----------|------|
| Warranty Card | 1 | |
| Pressure Governor | 1 | |
| Cooking Grid | 1 | |
| Instruction Manual | 1 | |

SERIAL NUMBER



Each appliance manufactured at Lincat has a unique identifying number found in the top right hand corner of the data plate attached at the rear of the appliance. Please record that number in the space provided should it be required for future reference.

| | |
|---------------|--|
| Serial Number | |
|---------------|--|

MARK OF CONFIDENCE



Every single product that leaves our factory bears a serial plate showing the assembler's initials. It's a mark of confidence we have in our people and our manufacturing process.

INSTALLATION

SITING

The installer must ensure that all regulations are met and that there is an unobstructed minimum distance of 1000mm from the top of the flue to the ceiling, which must be of non-combustible material.

The appliance should be installed on a level surface ensuring the unit is stable and firmly located. Any partitions, walls or kitchen furniture in close proximity must be of non-combustible materials and not be closer than 50mm from the sides and rear of the flue.

GAS SUPPLY AND CONNECTION

Connection is at the rear of the unit via a 1/2" G male thread.

Gas supply hose and connection shall comply with local regulations, and shall be periodically examined and replaced as necessary.

When making the connection to the appliance an isolating cock should be fitted into the supply line close to the unit, for emergency shutdown or servicing purposes.

SUPPLY PRESSURES

- To gain access to the gas pressure test nipple remove the debris drawer. The nipple is situated behind the fascia panel on the right of the appliance.
- Remove the blanking screw and attach a pressure gauge to the boss of the test nipple.
- Light both burners and set to maximum.
- Adjust the operating pressure at the governor. See table.

USER INSTRUCTION

APPLIANCE USE

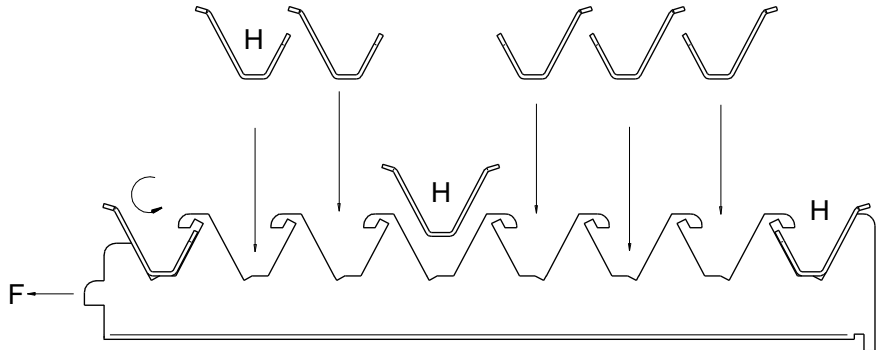
This appliance is only for professional use and should only be used by qualified personnel.

Ensure that the person responsible understands how to light, safely operate, clean and shutdown the appliance and is made aware of the position and operation of the gas isolating cock in the event of an emergency.

HEAT TRANSFER PROFILE SEATING

Ensure that the heat transfer profiles (H) are clean and correctly seated.

The support bracket (F) faces toward the front of the appliance



To correctly position the heat transfer channels, hook the short edge beneath the location point on the support brackets and lower into place.

To remove them for cleaning, grip longest edge and twist out.

Always replace the channels as shown.

LIGHTING SEQUENCE

- Open the main gas cock.
- Push in the control knob then rotate anti-clockwise to any position to allow gas through to the burner. Manually light this burner using a taper or piezo ignitor wand through the aperture in the fascia panel. **Do not attempt to light the gas through the heat transfer channels.**
- On establishing a flame at the burner, keep the knob depressed for approximately 15 seconds then release. The burner should remain lit.
- Repeat for the other burner.

SHUT DOWN

To shut down the appliance rotate all control knobs clockwise to the OFF position. The gas supply stopcock or bottle valve should now be closed.

CLEANING

Ensure the appliance is cool and the gas supply is isolated before commencing cleaning.

After use wash the unit down with a warm detergent solution.



- Any accumulated fats or grease on internal parts and collecting pans from previous cooking should be routinely cleaned prior to use to prevent the risk of fire.
- The cooking grid may be cleaned using a wire brush to remove carbon deposits. It is recommended that suitable eye and hand protection be worn.

Do not use abrasives on stainless steel parts.

Do not use any products containing chlorine or hydrochloric acid to clean stainless steel surfaces.

Do not clean the appliance using a water jet.

SERVICING

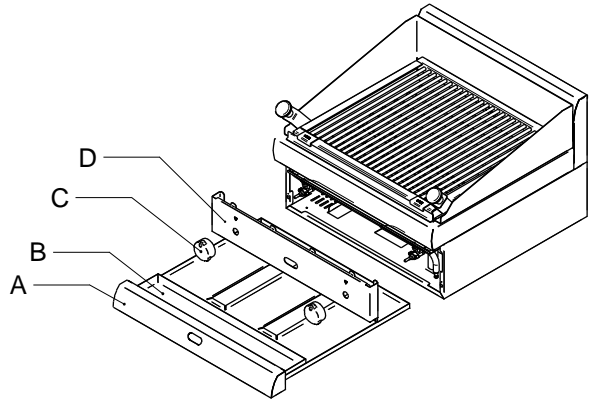
SERVICE ACCESS

To access and service the gas control valves

- Remove the control knobs and fascia panel to gain access to the valves.
- Remove the two screws securing the valve boss and carefully withdraw the spindle from the valve.
- Grease as necessary and refit parts. Carry out gas soundness check.

FASCIA PANEL REMOVAL

- Remove the debris drawer (A) and fat tray (B).
- Remove the control knobs (C).
- Remove the screws left and right on the underside of the fascia panel (D). Tilt the fascia panel from the bottom up and lift clear of the hob top.

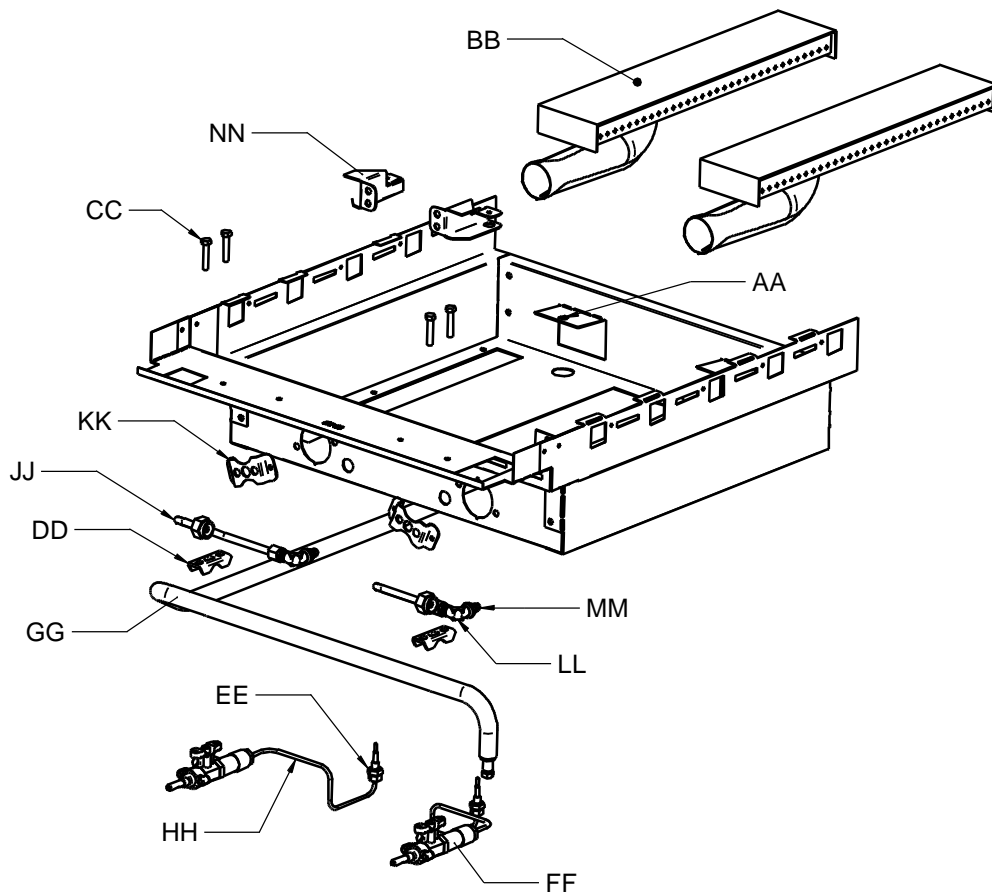


OPERATIONAL CHECK

Commissioning must include an operational check of all controls.

- Check that each burner can be lit at both full rate and low rate.
- Check that each burner will remain lit when turned to low rate.

COMPONENT REPLACEMENT



Thermocouple

- Remove the control knobs and fascia panel.
- Loosen the the thermocouple nut (HH) at the rear of the valve (FF)
- Remove the lock nut (EE) at the bracket (NN).
- Remove the thermocouple.
- Fit the new thermocouple and re-assemble in the reverse order.

Burner

- Remove the cooking grid and the heat transfer channels from the appliance.
- Loosen the burner retaining nut (AA).
- Lift the burner (BB) at the rear and withdraw from the bodywork.
- Fit the new burner.
- Re-assemble in the reverse order.

Control Valve

- Remove the control knobs and fascia panel.
- Loosen the burner pipe nut (JJ) at the valve (FF)
- Loosen the the thermocouple nut (HH) at the rear of the valve (FF)
- Remove the valve clamp screws (CC).
- Free the vlave from the manifold (GG).
- Fit the new valve and re-assemble reverse order.
- Perform gas soundness test of circuit prior to operation of appliance.

Injector

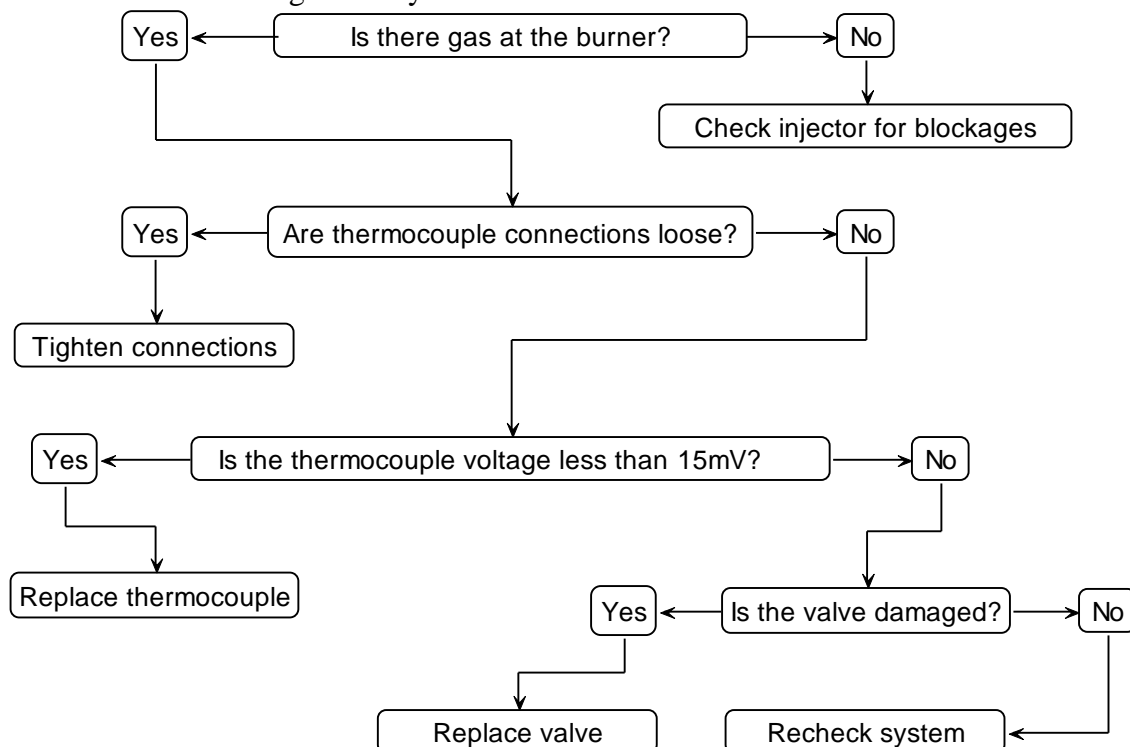
- Remove the control knobs and fascia panel.
- Loosen the burner pipe nut (JJ) at the valve (FF) and at the elbow (LL).
- Remove the screws at the elbow retaining bracket (KK).
- Remove the injector (MM) with the copper and fibre washers.
- Fit new parts and re-assemble.
- Perform gas soundness test of circuit prior to operation of appliance.

SPARE PARTS LIST

| Description | Part number |
|----------------------|-------------|
| Burner | BU28 |
| Copper washer | CO113 |
| Locknut | CO53 |
| Male stud elbow | CO85 |
| Foot | FE37 |
| Cooking grid handle | HA50 |
| Injector Natural gas | JE28 |
| Injector Propane gas | JE45 |
| Control knob | KN184 |
| Pressure governor | PG10 |
| Thermocouple | TC14 |
| Gas valve | VA09 |
| Fibre washer | WA08 |

FAULT FINDING


- Burner/s will not light or stay lit



SERVICE INFORMATION

Gas catering equipment should be routinely serviced to ensure a long trouble free life. It is recommended that this appliances is serviced every 6 months by a competent gas engineer. For help regarding the installation, maintenance and use of your LINCAT equipment, please call:-

LINCAT SERVICE HELP DESK

 **+44 (0) 1522 875520**

AUTHORISED SERVICE AGENTS

We recommend that all servicing other than routine cleaning is carried out by our authorised service agents. We cannot accept responsibility for work carried out by other persons.

Please quote both the model and serial numbers from the data plate attached to the unit. Give brief details of the service requirement.

If possible please quote the product code of the part number you require.

Work carried out under warranty will normally be undertaken only during normal working hours, i.e. Monday to Friday, 8.30 a.m. - 5.00 p.m.

CONDITIONS OF GUARANTEE

The guarantee does not cover:-

- 1) Accidental breakage or damage
- 2) Operational misuse, wear and tear from normal usage, incorrect adjustment, or neglect.
- 3) Incorrect installation, maintenance, modification or unauthorised service work.

Notes

