

INSTRUCTION AND MAINTENANCE MANUAL

PASTA COOKER (ELECTRICAL)

KUSINA

“Professionally with Professionals”

DESCRIPTION

- The instructions in this manual contain important information on the safe mounting, usage, cleaning and maintenance of the device. Thus, keep the manual at a place easily accessible by the person who will use the machine, and the technician.
- Mounting, conversions for different gas groups or electrical inlet, and maintenance works of the device should be performed by a specialist authorized in this subject and in accordance with the instructions of the manufacturer company.
- Gas and electrical connections of the device should be arranged according to the tables and electrical diagram given in this manual.
- Manufacturer company accepts no responsibility for the final damages that are caused by any procedure not conforming to the instruction manual, or maintenance or technical interventions that are not performed by authorized people.

TYPES

- G6M100E –600 s er ie ½ modul e counter top
- G7M100E –700 s er ie ½ modul e w/ cupboa rd
- G7M100E- S –700 s er ie ½ modul e counter top
- G7M200E –700 s er ie 1 modul e w/ cupboa rd
- G9M100E –900 s er ie ½ modul e w/ cupboa rd
- G9M200E –900 s er ie 1 modul e w/ cupboa rd

MOUNTING INSTRUCTION

- Installation and adjustment of the device should be carried out by experienced technical staff.
- Place the device beneath a filtered exhaust hood in order to eliminate smell and fume that may be emitted during cooking.
- Device should be placed on a flat surface by suitably balancing on the four adjustable legs (Figure A).
- Place the device at a place min. 10 cm away from the side or back wall to prevent excessive temperature rises.
- Remove the protective nylon on the device. Clean the adhesive particles left on the device with a suitable cleaner.
- Never leave flammable material near the device.

ELECTRICAL CONNECTION

- Connect the device to the electrical installation according to the electrical standards of the relevant country.
- Feed the device with suitable network voltage written on the information plate.
- Connect to the electrical installation over a suitable automatic fuse. Fix the said fuse on a place that is easily accessible in case of a danger.

- The cable connecting the device to the electrical installation should be at least type H07 RNF.
- Before connecting the electrical inlet cable to the inlet clamp on the device, connect the cable by passing it through the inlet coupling. And then tighten the coupling cover in a manner that does not allow cable return.
- Electrical inlet clamp can be seen by disassembling G6ME010-20 back cover, G7ME010–20 and G9ME010-20 front panel.
- Electrical inlet is indicated with a label on the device.
- If the device will be used in a commercial kitchen, apply a correct grounding system. Here, consider DIN VDE D100 Article 540.
- Grounding screw is indicated with a label behind the device.

OPERATOR INSTRUCTIONS

- Fill water in the water chamber to the maximum level. Figure C “3”
- Pay attention to have water in heating chamber.
- Discharge and clean water chamber at the end of work every day.
- In order to discharge Sauce Bain Marie chambers, you need to open cabinet cover and pull ball valve arm 4 Figure C

START-UP (Figure B)

Turn switch “1” to position “1”.

Adjust thermostat “2” to desired temperature.

TURNING OFF (Figure 4)

Turn switch “1” to position “0”.

Turn the thermostat “2” to position “0”.

IMPORTANT

It is recommended that you do not use lime and hard water; otherwise you will shorten the heater lifetime.

MAINTENANCE

- Do not perform maintenance when the device is loaded with electrical power.
- Before it cools down completely, wipe the device with a cloth immersed in warm soapy water.
- Do not use cleaning substances and tools that may cause scratches on device surface.
- If required, use chemical cleaners.
- Do not clean the device with water or vapour pressure. Otherwise, you may cause electrical resistor failure.
- If the device will not be used for a long period, coat the surfaces with a thin layer of Vaseline.

- In case of any dangerous condition with the device, notify to the authorized service. Never let unauthorized people to interfere in the device.

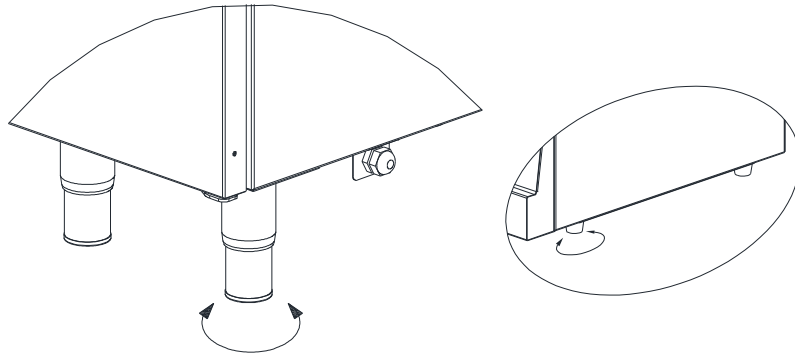


Figure A

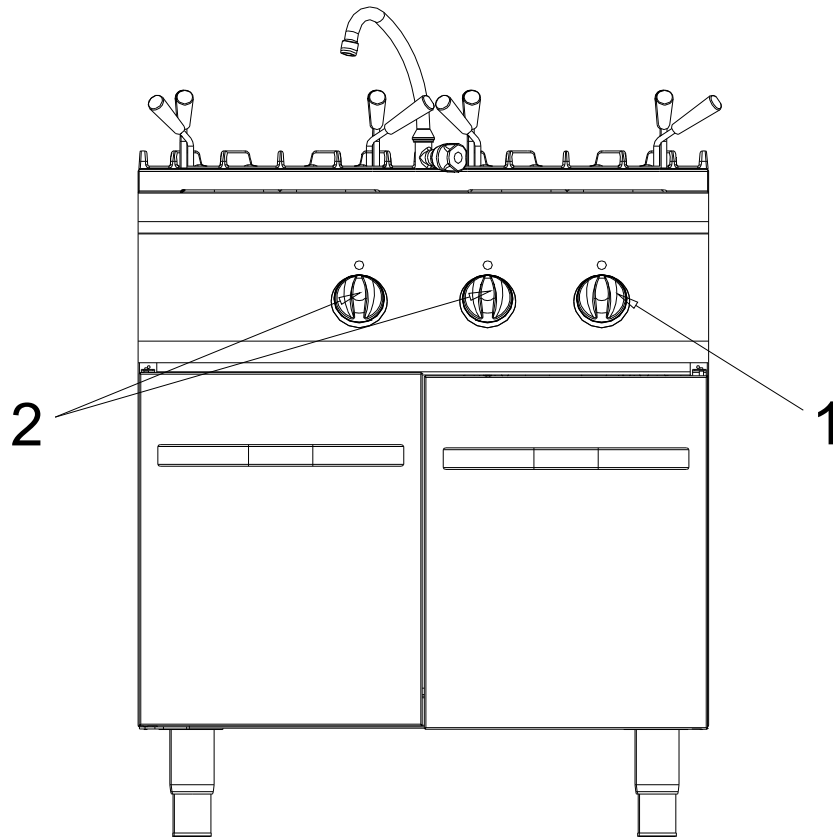


Figure B

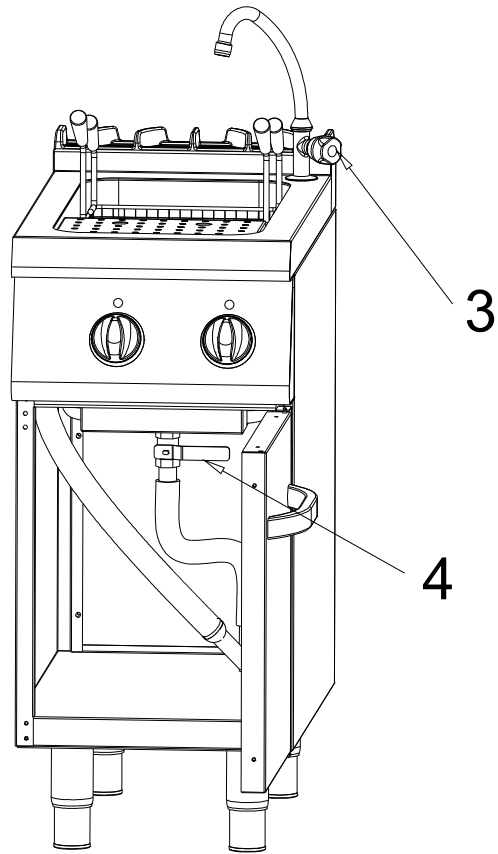
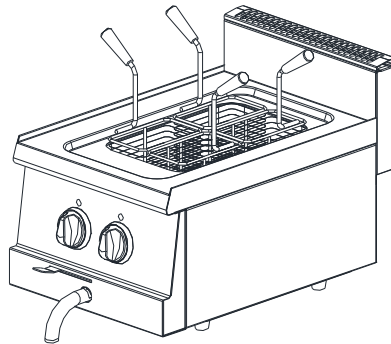
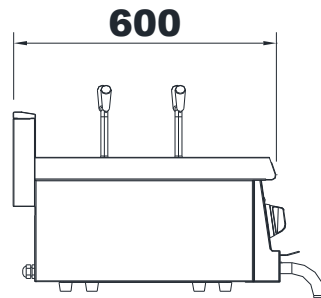
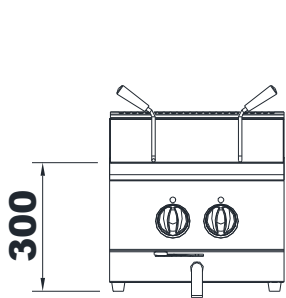
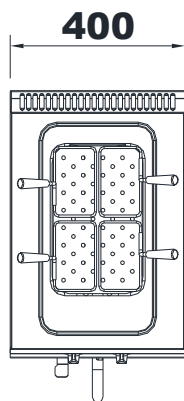


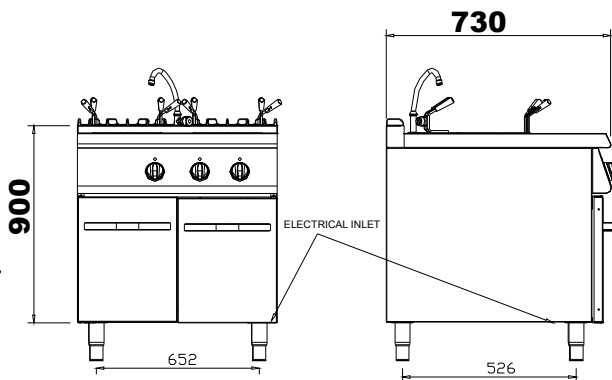
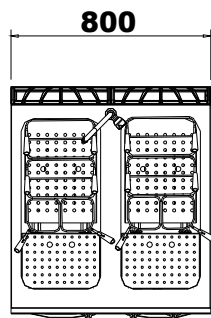
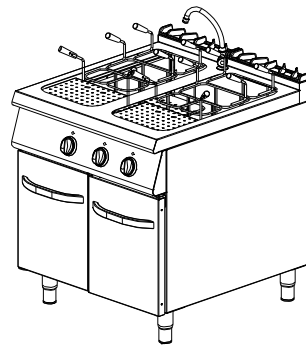
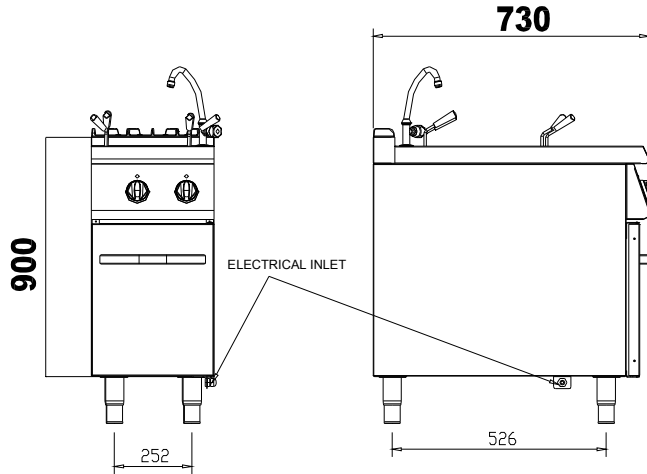
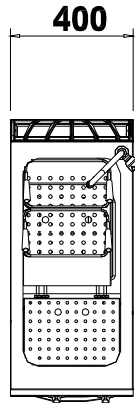
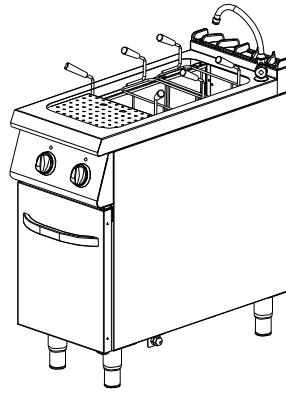
Figure C



G6M100E

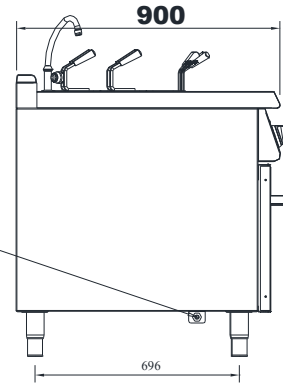
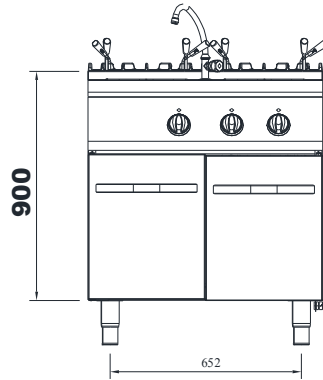
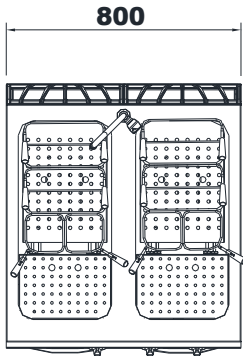
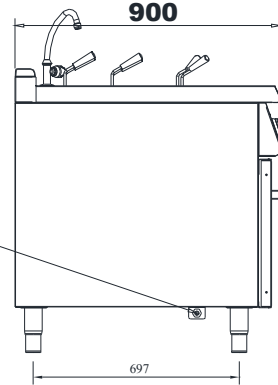
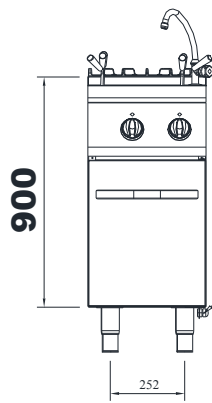
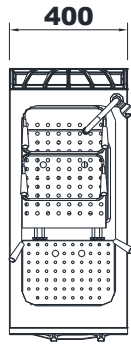
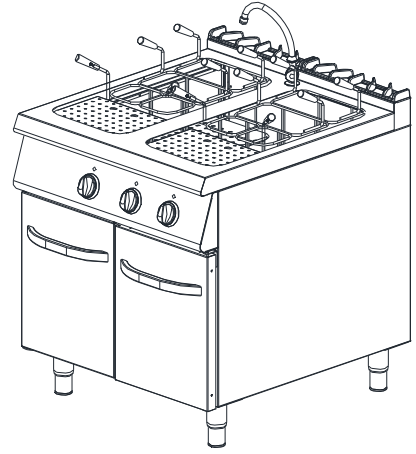
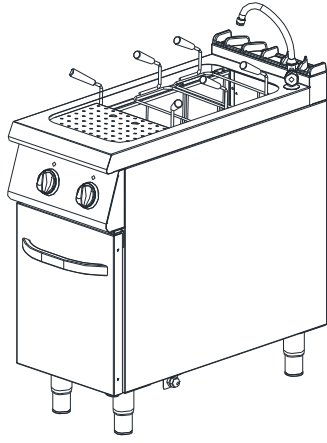


G6M100E



G7M100E

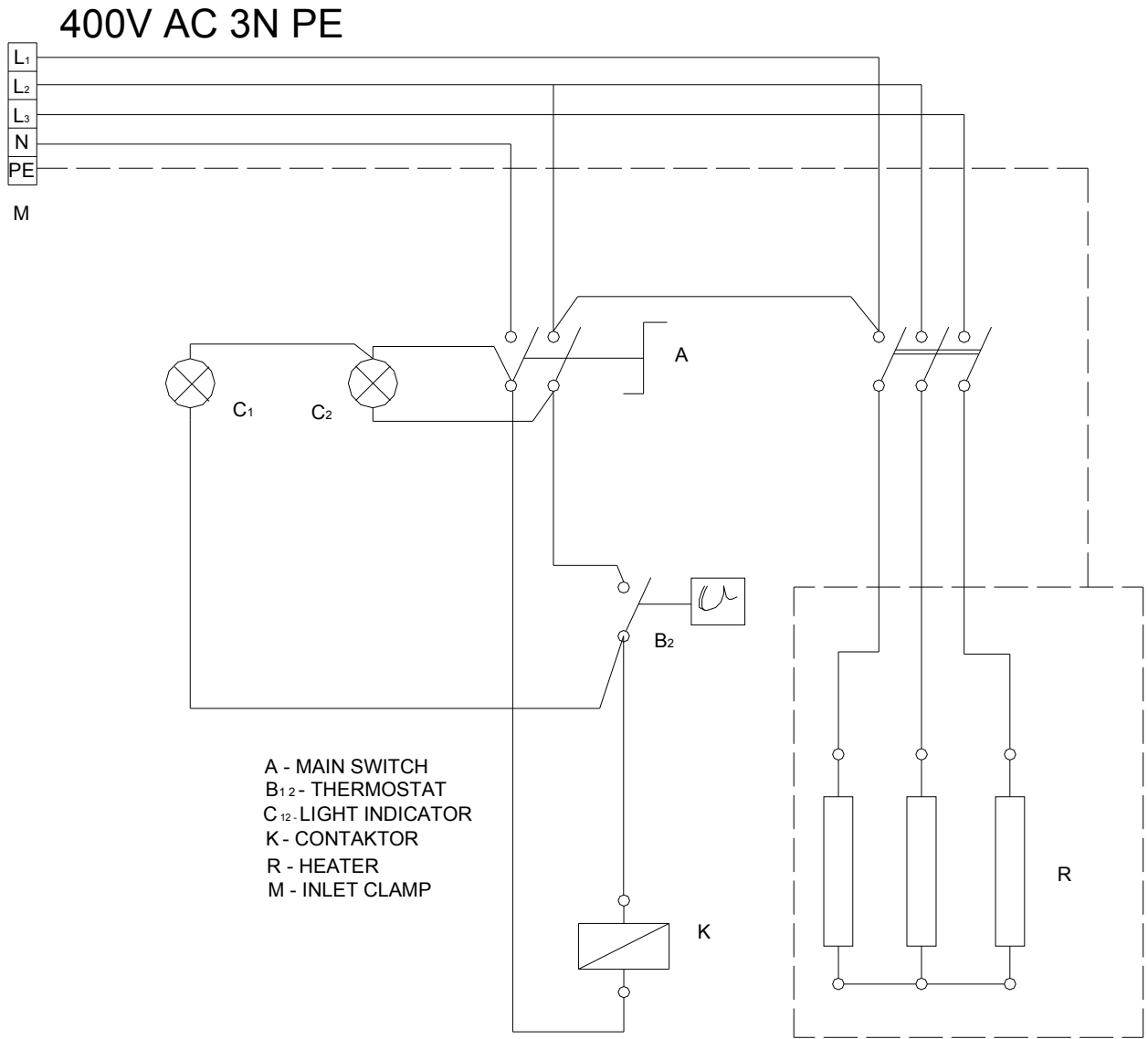
G7M200E



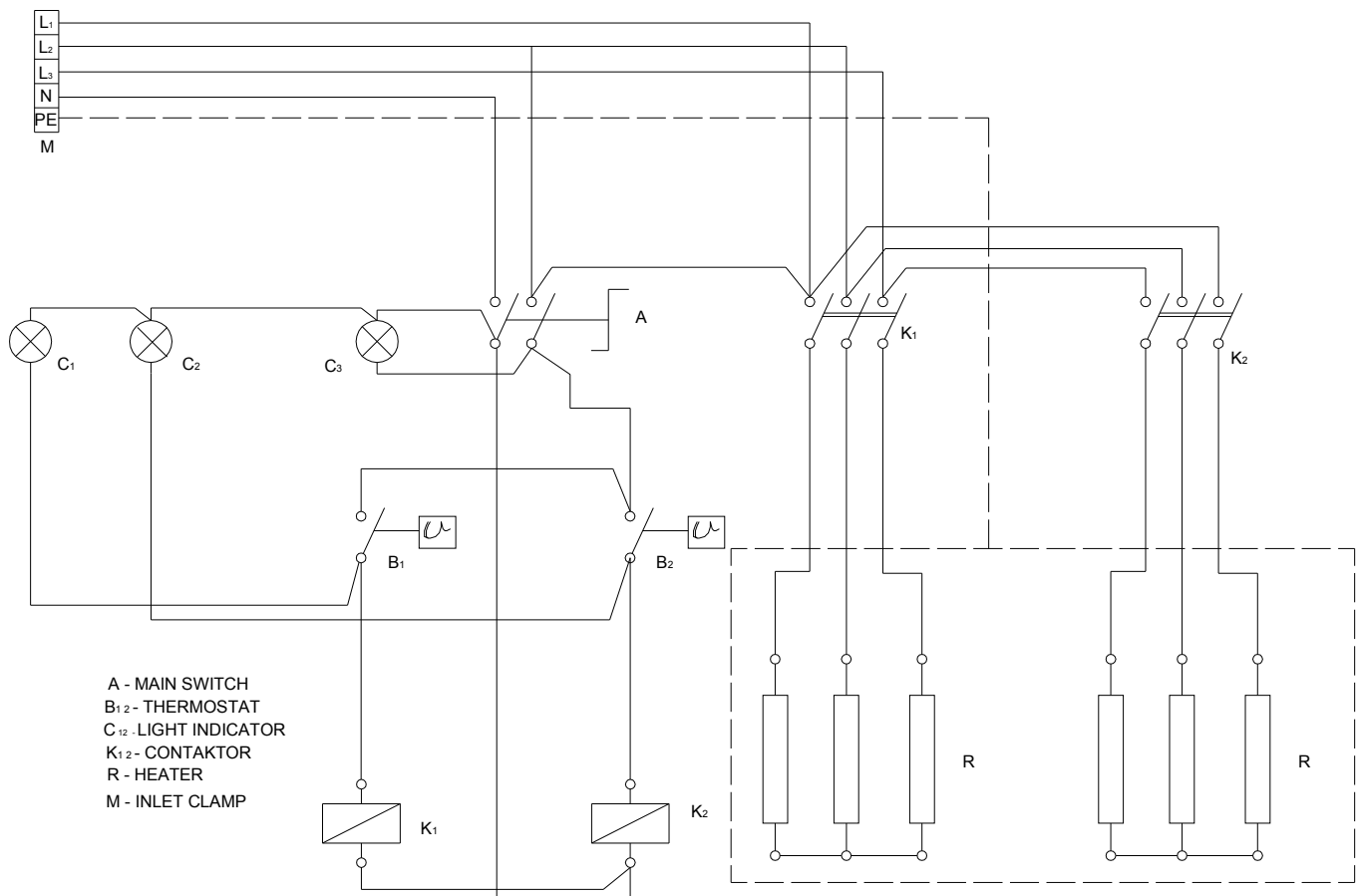
G9M100E

G9M200E

ELECTRICAL SCHEME



G7M100E



G7M200E