



MUSTER 800

LIST OF THE EXPLODED VIEWS

2nd Version M800A - M800W - M800AW



SHELL 2nd Version M800A - M800W - M800AW

SHELL ASSY 1st Version M800A/W - M800W

COOLING SYSTEM 2nd Version M800A - M800W - M800AW

COOLING SYSTEM 1st Version M800A/W - M800W

EVAPORATOR 2nd Version M800A - M800W - M800AW

EVAPORATOR 1st Version M800A/W - M800W

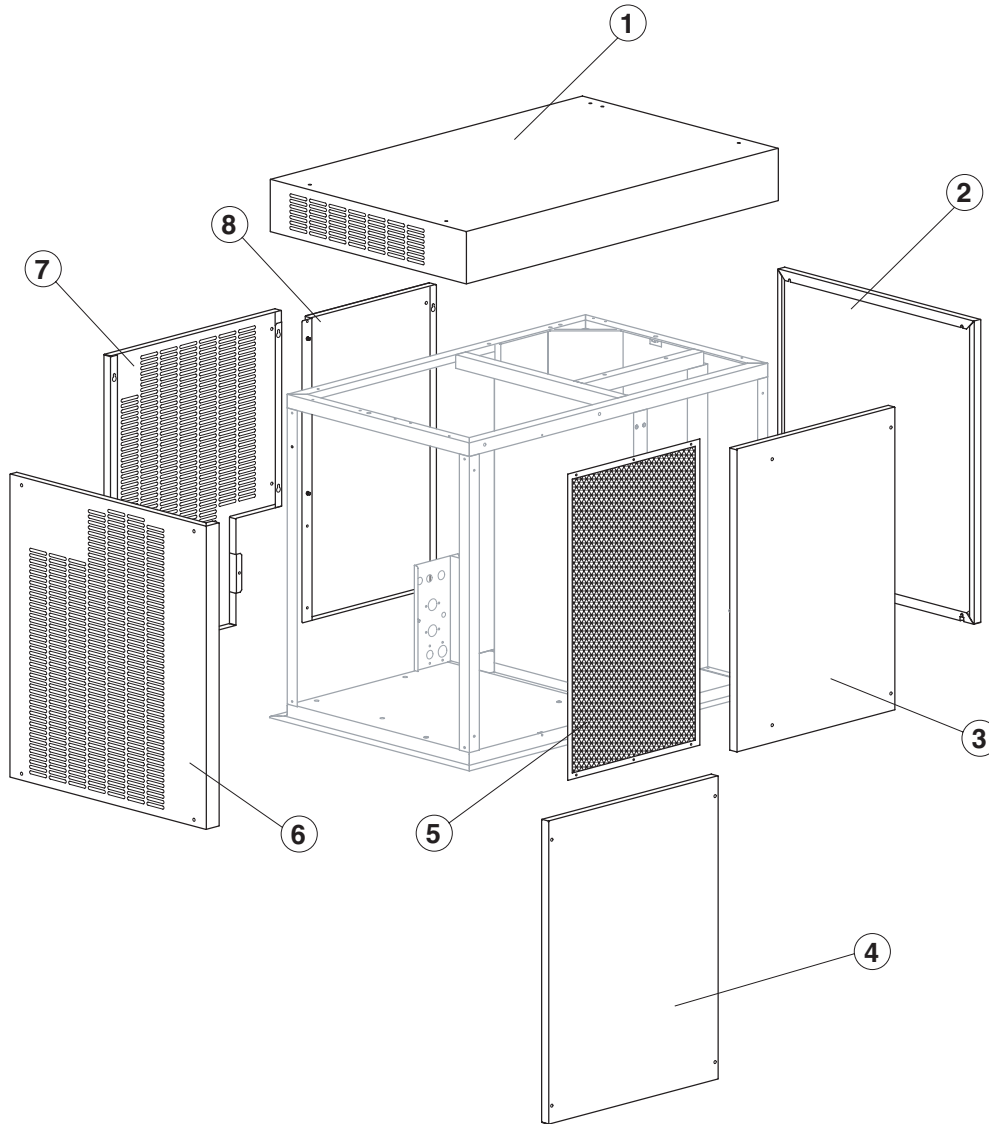
PUMP

ELECTRIC PARTS 2nd Version M800A - M800W - M800AW

ELECTRIC PARTS 1st Version M800A/W - M800W

1st Version M800A/W - M800W





Rev.13 - 17/06/2013

Common Parts

| Ref. | Spare Description | Code |
|------|------------------------------------|--------|
| 1 | Top Assembly | C22449 |
| 2 | Right Side Panel | 22445 |
| 3 | Front Panel Assy (Evaporator Side) | 22448 |
| 6 | Left Side Panel | 22444 |
| 7 | Rear Panel (Group Side) | 22926 |
| 8 | Rear Panel (Evaporator Side) | 22925 |

Parts for Air-Cooled and Mixed Cooled Version Only

| Ref. | Spare Description | Code |
|------|-------------------|-------|
| 5* | Filter | 18183 |

Parts for Water-Cooled Version Only

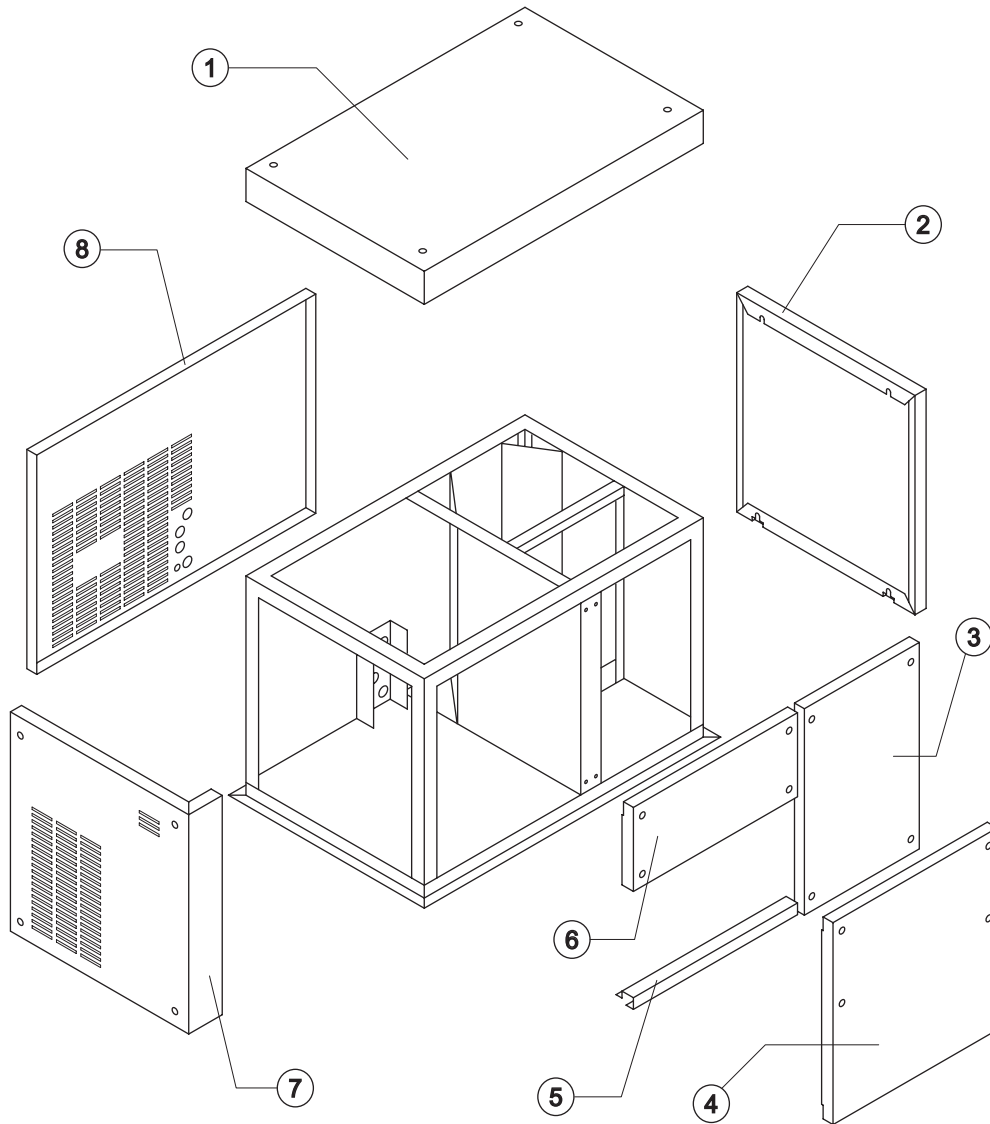
| Ref. | Spare Description | Code |
|------|-------------------|-------|
| 4 | Front Panel | 22927 |



MUSTER 800

1st Version M800A/W - M800W

SHELL ASSY



Common Parts

| Ref. | Spare Description | Code |
|------|------------------------------------|--------|
| 1 | Top Assembly | C22449 |
| 2 | Right Side Panel | 22445 |
| 3 | Front Panel Assy (Evaporator Side) | 22448 |
| 7 | Left Side Panel | 22444 |
| 8 | Rear Panel | 22450 |

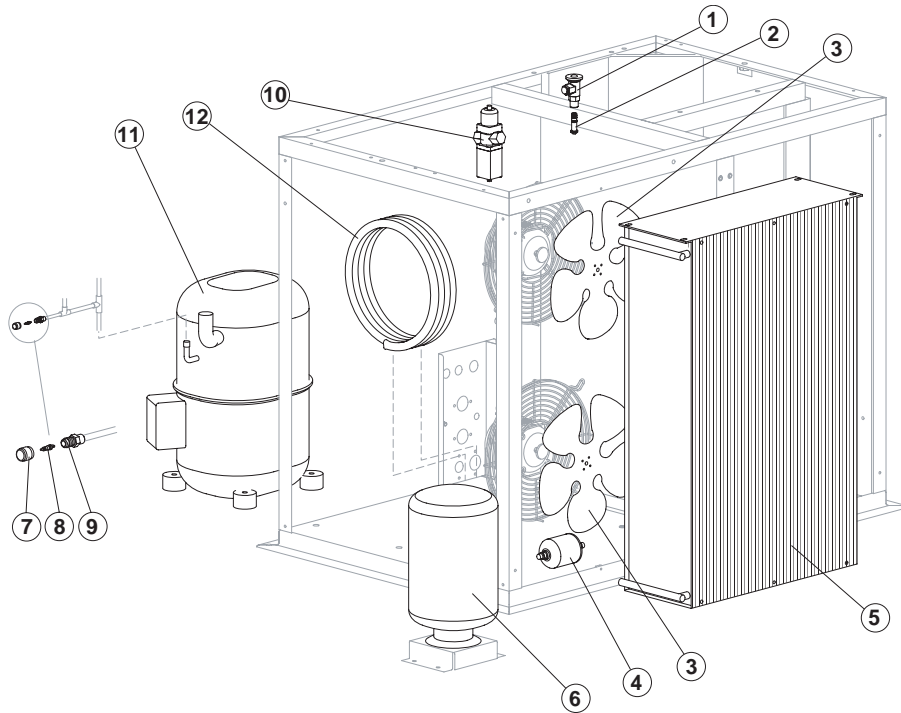
Parts for Water-Cooled Version Only

| Ref. | Spare Description | Code |
|------|-------------------|-------|
| 4 | Front Panel | 22599 |

Parts for Mixed Cooled Version Only

| Ref. | Spare Description | Code |
|------|----------------------------|-------|
| 5 | Frontal Template | 22446 |
| 6 | Electrical Box Cover Panel | 22486 |

Rev.13 - 17/06/2013



Common Parts

| Ref. | Spare Description | Code |
|------|----------------------------|------------------------|
| 1 | Expansion Valve | 20734 |
| 2 | Orifice | Current Version 20944 |
| 2 | Orifice | Till s/n. 470848 20733 |
| 4* | Solid Core drier | 14255 |
| 7* | Vacuum-Charge Valve Plug | 14006 |
| 8* | Vacuum-Charge Valve Device | 14005 |
| 9 | Vacuum-Charge Valve Body | 14007 |
| 11 | Compressor | See Table - |

Parts for Air-Cooled Version Only

| Ref. | Spare Description | Code |
|------|-------------------|-------|
| 3 | Sucking Fan | 20407 |
| 5 | Air Condenser | 20787 |

Parts for Water-Cooled Version Only

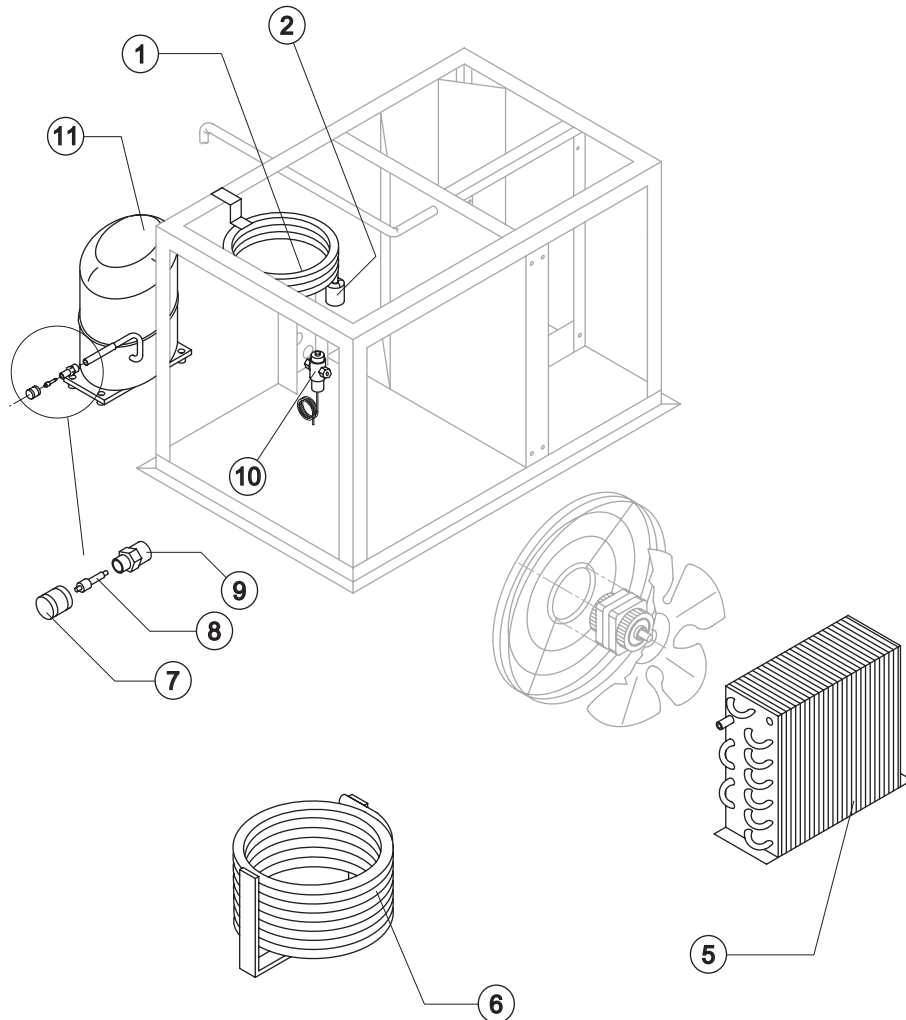
| Ref. | Spare Description | Code |
|------|--------------------|-------|
| 6 | Water Condenser | 14496 |
| 10 | Pressostatic Valve | 20149 |

Parts for Mixed Cooled Version Only

| Ref. | Spare Description | Code |
|------|-------------------|-------|
| 3 | Sucking Fan | 20407 |
| 5 | Air Condenser | 20787 |
| 12 | Water Condenser | 14034 |

Ref. 11- Compressor

| Voltage | Code |
|---------|-------|
| T14 | 23517 |
| T15 | 23518 |
| T16 | 23517 |
| T17 | 23518 |



Common Parts

| Ref. | Spare Description | Code |
|------|----------------------------|----------------|
| 2 | Solid Core Drier | 14255 |
| 7 | Vacuum-Charge Valve Plug | 14006 |
| 8 | Vacuum-Charge Valve Device | 14005 |
| 9 | Vacuum-Charge Valve Body | 14007 |
| 10 | Pressostatic Valve | 20149 |
| 11 | Compressor | Vedi Tabella - |

Parts for Water-Cooled Version Only

| Ref. | Spare Description | Code |
|------|-------------------|-------|
| 6 | Water Condenser | 14285 |

Parts for Mixed Cooled Version Only

| Ref. | Spare Description | Code |
|------|-------------------|-------|
| 1 | Water Condenser | 14034 |
| 5 | Air Condenser | 20396 |

Ref. 11- Compressor

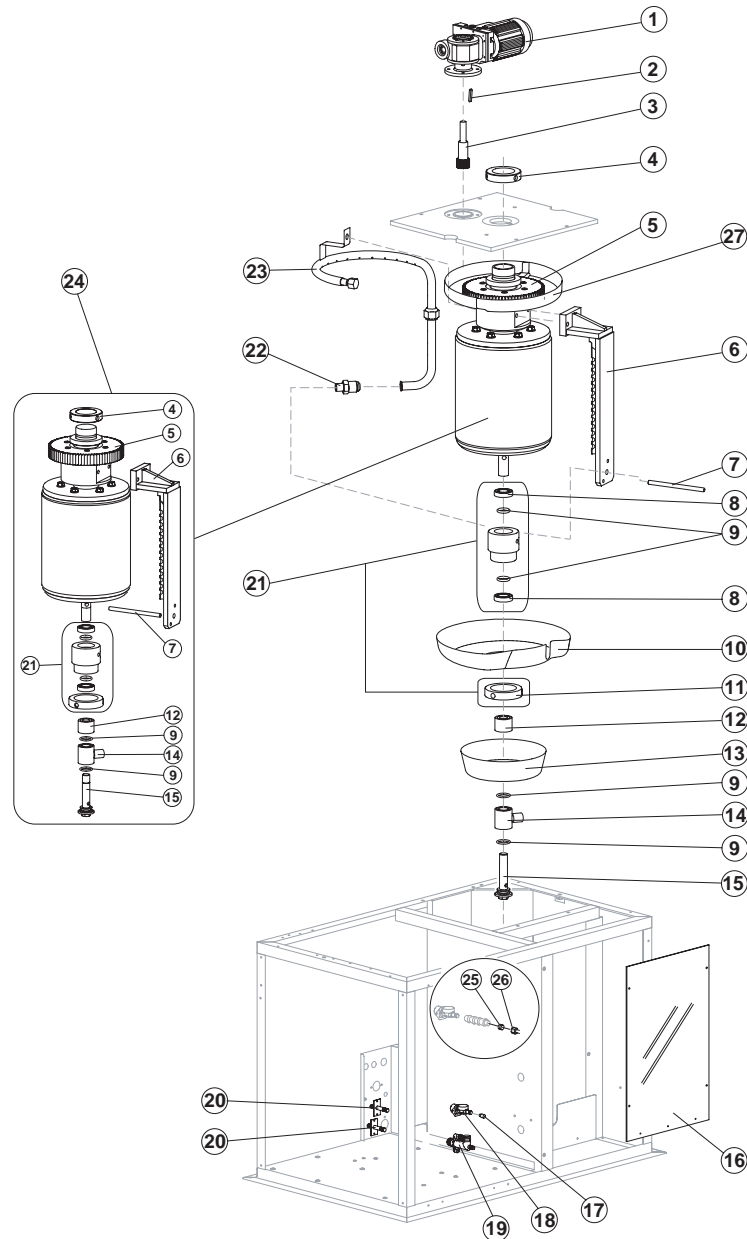
| Voltage | Code |
|---------|-------|
| T14 | 23517 |
| T15 | 23648 |
| T16 | 23517 |
| T17 | 23648 |



MUSTER 800

2nd Version M800A - M800W - M800AW

EVAPORATOR



Common Parts

| Ref. | Spare Description | Code |
|------|---------------------------------|-----------------------------|
| 1 | Gearmotor Assy | C23412 |
| 2 | Key 6x6x40 | 20350 |
| 3 | Pinion with Shaft for Gearmotor | C20344 |
| 4 | Cylinder Locking Ring Nut | 20365 |
| 5 | Ring Gear | 20363 |
| 6 | Scraper | 20358 |
| 7 | M10 Tie Rod (to Block Scraper) | 20369 |
| 8 | Stainless Steel Upper Bearing | 20045 |
| 9 | Silicone OR 4081 Ring | 20338 |
| 10 | Rotating Basin | 10191 |
| 11 | Ring Nut for Rotating Ring | 10194 |
| 12 | Spacer | Current Version 10528 |
| 12 | Spacer | Till s/n. 387018 20366 |
| 13 | Fixed Basin | C10599 |
| 14 | Water Inlet Ring | 20851 |
| 15 | Screw | 20872 |
| 16 | Evaporator Chamber Shield | Current Version 10531 |
| 16 | Evaporator Chamber Shield | Till s/n. 387018 10196 |
| 18 | 1 Way- Water Inlet Nipple | 10239 |
| 19 | Discharges Manifold | 10580 |
| 21 | Complete Rotating Ring | C10193 |
| 22 | Joint | 20367 |
| 23 | Sprayer Ring | C20357 |
| 24 | Evaporator | Current Version C20879 |
| 24 | Evaporator | Till s/n. 387018 KITNEVM800 |
| 25 | Bush | Till s/n. 260296 20405 |
| 26 | Nut | Till s/n. 260296 20404 |
| 27 | Ring Gear Cover | From s/n. 556448 C10631 |

Parts for Water-Cooled version Only

| Ref. | Spare Description | Code |
|------|-----------------------|--------|
| 20 | Connection with Plate | C20462 |

Parts for Mixed Cooled version Only

| Ref. | Spare Description | Code |
|------|--|--------|
| 17 | Lt. 2,0 Flow Control for Water Inlet Connector | 10077 |
| 20 | Connection with Plate | C20462 |

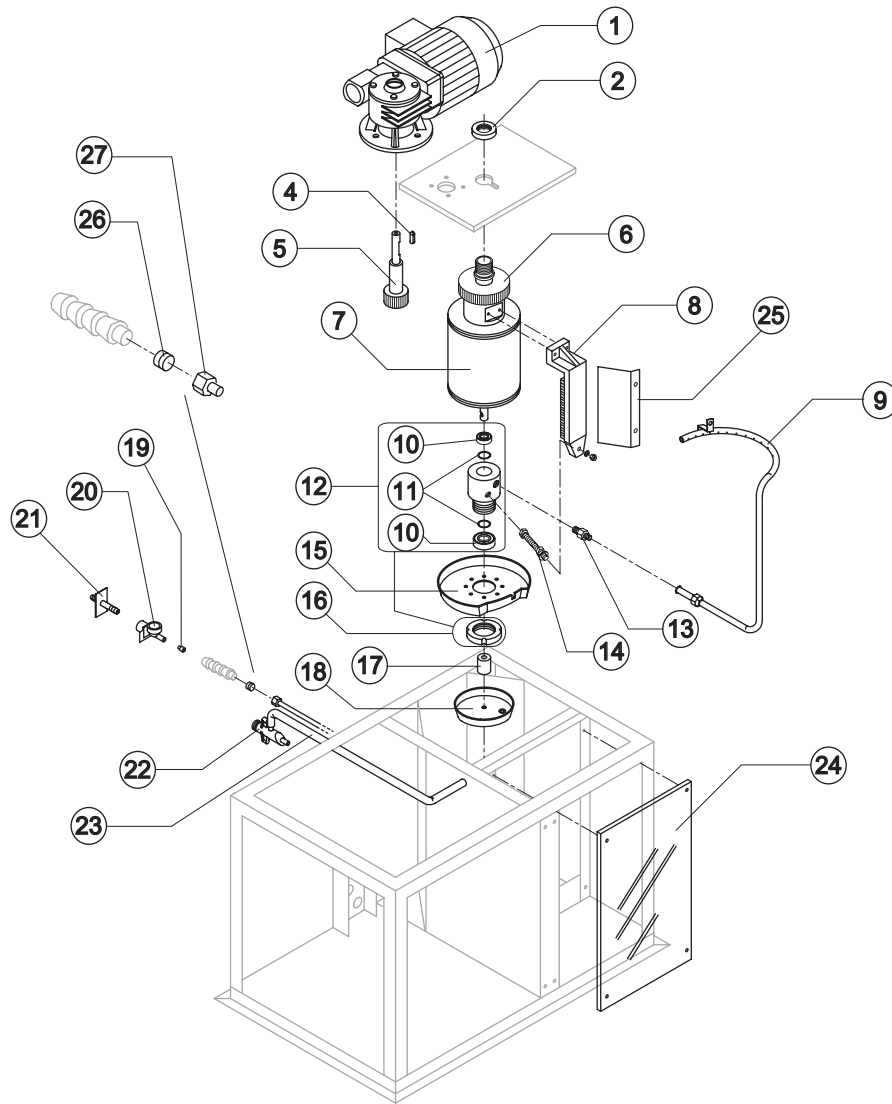
Rev.13 - 17/06/2013



MUSTER 800

1st Version M800A/W - M800W

EVAPORATOR



Common Parts

| Ref. | Spare Description | Code |
|------|---------------------------------|------------|
| 1 | Motor with Reduction Gear Assy | See Table |
| 2 | Cylinder Locking Ring Nut | 20365 |
| 4 | Key 6x6x40 | 20350 |
| 5 | Pinion with Shaft for Gearmotor | C20344 |
| 6 | Ring Gear | 20363 |
| 7 | Evaporator | KITNEVM800 |
| 8 | Scraper | 20358 |
| 9 | Sprayer Ring | C20357 |
| 10 | Stainless Steel Bearing | 20045 |
| 11 | Silicone OR 4081 Ring | 20338 |
| 12 | Complete Rotating Ring | C10193 |
| 13 | Joint | 20367 |
| 14 | M10 Tie Rod (to Block Scraper) | 20369 |
| 15 | Rotating Basin | 10191 |
| 16 | Ring Nut for Rotating Ring | 10194 |
| 17 | Spacer | 20366 |
| 18 | Fixed Basin | C10192 |
| 20 | 1 Way- Water Inlet Nipple | 10239 |
| 23 | Overflow Pipe | 13088 |
| 24 | Evaporator Chamber Shield | 10196 |
| 25 | Baffle Plate | 10420 |
| 26 | Bush | 20405 |
| 27 | Nut | 20404 |

Parts for Water-Cooled Version Only

| Ref. | Spare Description | Code |
|------|-----------------------|--------|
| 21 | Connection with Plate | C20462 |
| 22 | Discharges Manifold | 10579 |

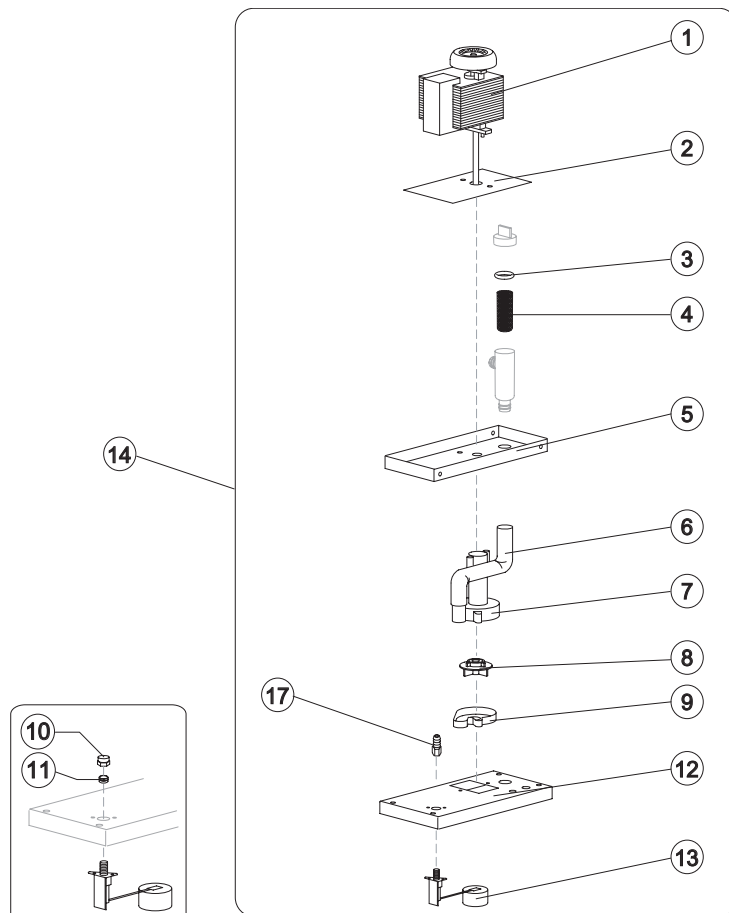
Parts for Mixed Cooled Version Only

| Ref. | Spare Description | Code |
|------|--|--------|
| 19 | Lt. 2,0 Flow Control for Water Inlet Connector | 10077 |
| 22 | Discharges Manifold | C10053 |

Ref. 1 - Gearmotor Assy

| Tension | Code |
|-----------|--------|
| T14 e T15 | C23412 |
| T16 e T17 | C23389 |

Rev.13 - 17/06/2013



Till s/n. 260296

Common Parts

| Ref. | Spare Description | Code |
|------|-----------------------------|------------------|
| 1 | Pump | See Table |
| 2 | Heat Dissipator | 22430 |
| 3 | Pump Filter Gasket | 13080 |
| 4 | Filtering Element | 20254 |
| 5 | Pump Motor Support | 10161 |
| 6 | Pump-Filter Connection Pipe | 13084 |
| 7 | Pump Body | 10065 |
| 8 | Pump Impeller | 10138 |
| 9 | Diffusor | 10067 |
| 10 | Nut | Till s/n. 260296 |
| 11 | Bush | Till s/n. 260296 |
| 12 | Water Pump Basin Cover | 22420 |
| 13* | Floating Valve | Current Version |
| 13 | Floating Valve Assy | Till s/n. 260296 |
| 14* | Pump and Filter Assy | See Table |
| 17 | Connection | 20799 |

Ref. 1 - Pump

| Voltage | Code |
|---------|-------|
| T14 | 23073 |
| T15 | 23073 |
| T16 | 23187 |
| T17 | 23187 |

Ref. 14* - Pump and Filter Assy

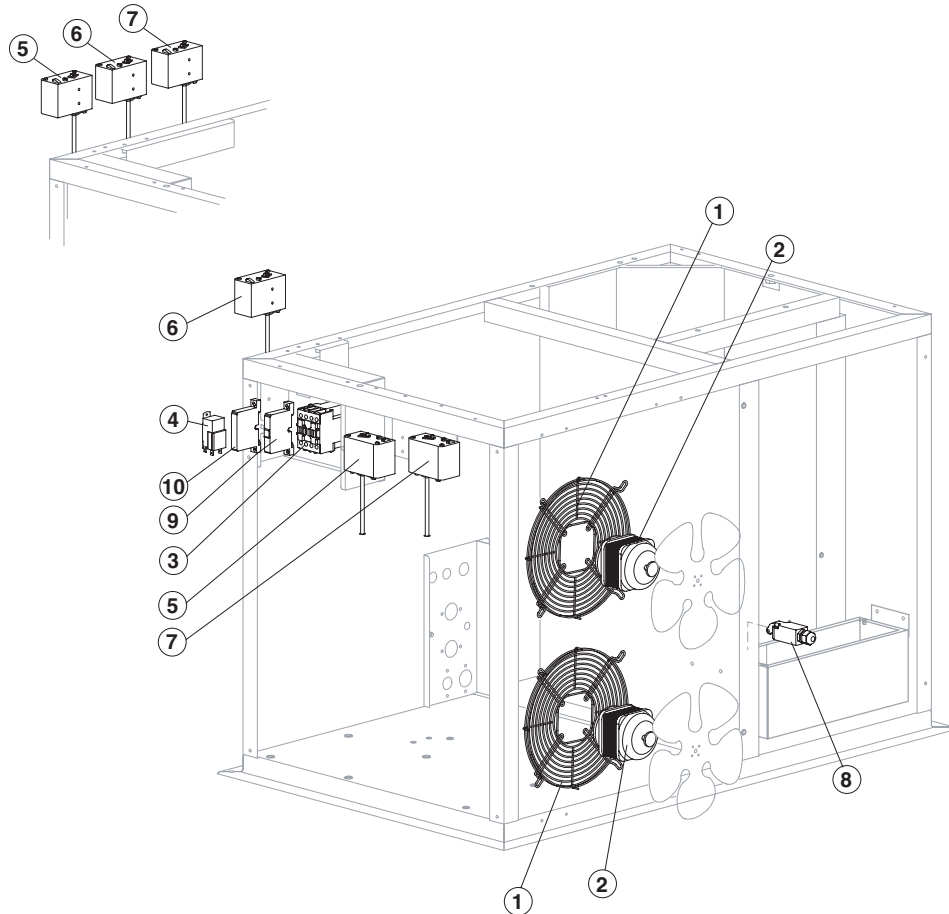
| Voltage | Code | Till s/n. 387018 |
|---------|--------|------------------|
| T14 | C26738 | C26711 |
| T15 | C26738 | C26711 |
| T16 | C26739 | C26712 |
| T17 | C26739 | C26712 |



Ref. 14 - For ice-makers with s/n. before 260297 ask also the Nut (ref. 10) and the Bush (ref. 11).



Pressure Switch Views till s/n. 301010



Common Parts

| Ref. | Spare Description | Code |
|------|--|----------------------------|
| 3* | Contactor | See Table |
| 4* | Bin Thermostat | R23005 |
| 5 | Safety Pressure Switch (Low Pressure Circuit) Current Version | 23763 |
| 5 | Safety Pressure Switch (Low Pressure Circuit) Till s/n. 237664 | 23577 |
| 6 | Safety Pressure Switch (High Pressure in Low Pressure Circuit) | 23729 |
| 7 | Safety Pressure Switch (High Pressure) | 23729 |
| 8 | Microswitch for Overflow Ice | 23746 |
| 9 | Thermomagnetic circuit breaker | 23910 |
| 10 | Electronic Delay Timer | From s/n. 516888 231033 |

Parts for Air-Cooled Version Only

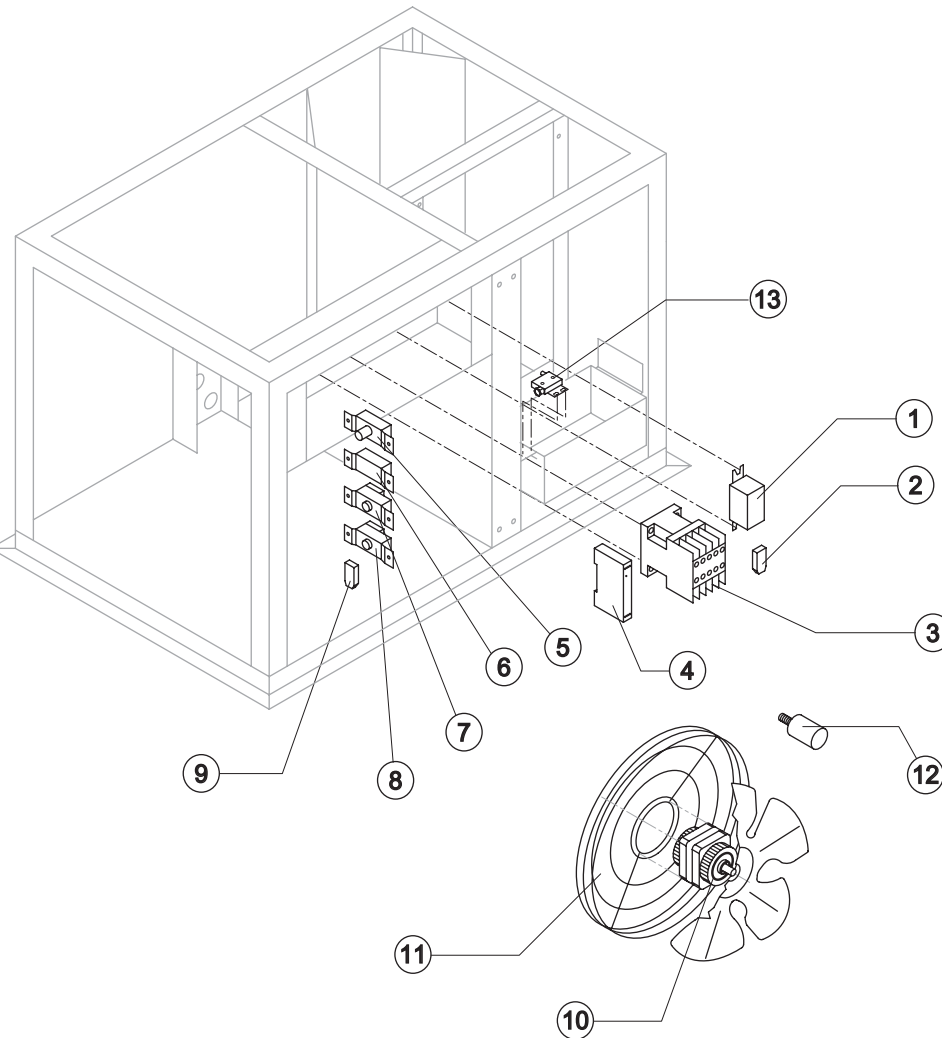
| Ref. | Spare Description | Code |
|------|-------------------|-------|
| 1 | Fan Motor Grid | 12056 |
| 2* | Fan Motor | 23121 |

Ref. 3*- Contactor

| Voltage | Code |
|---------|-------|
| T14 | 23147 |
| T15 | 23147 |
| T16 | 23963 |
| T17 | 23963 |



Rev.13 - 17/06/2013



Common Parts

| Ref. | Spare Description | Code |
|------|---|---------------------|
| 1 | Relay | 23190 |
| 2 | Anti Radio Interference Filter | T14 e T15 C23458 |
| 3 | Contactor | See Table |
| 4 | Phases-Sequence Sensor | 23903 |
| 5 | Safety Pressure Switch (Maximum Pressure) | 23342 |
| 7 | Safety Thermostat | R23447 |
| 8 | Bin Thermostat | R23421 |
| 13 | Microswitch for Overflow Ice | 23373 |

Parts for Air/Water-Cooled Version Only

| Ref. | Spare Description | Code |
|------|--------------------------------|---------------------|
| 6 | Condenser Pressure Switch | 23175 |
| 9 | Anti Radio Interference Filter | T14 e T15 C23459 |
| 10 | Fan Motor | See Table - |
| 11 | Fan Motor Grid | See Table - |
| 12 | Fan Motor Capacitor | 23469 |

Ref. 3 - Contactor

| Voltage | Code |
|---------|-------|
| T14 | 23147 |
| T15 | 23147 |
| T16 | 23963 |
| T17 | 23963 |

Ref. 10 - Fan Motor

| Voltage | Code |
|---------|-------|
| T14 | 23468 |
| T15 | 23468 |
| T16 | 23467 |
| T17 | 23467 |

Ref. 11 - Fan Motor Grid

| Voltage | Code |
|---------|-------|
| T14 | 12053 |
| T15 | 12053 |
| T16 | 12052 |
| T17 | 12052 |